

Municipal Tariff Development and Cost of Supply Studies



Benefit:
1 % Increase
in Municipal Surplus



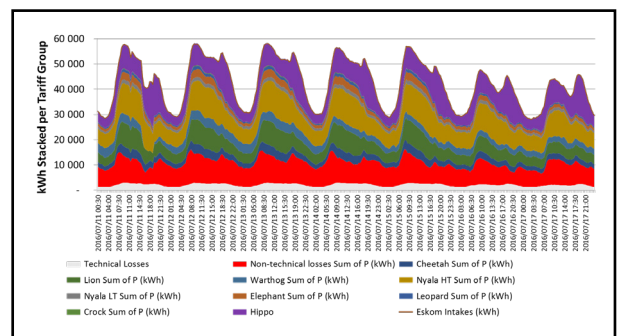
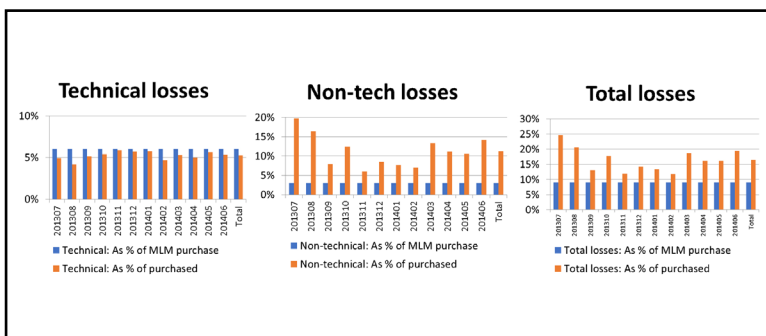
Cost:
R 800,000



Payback:
1 Year

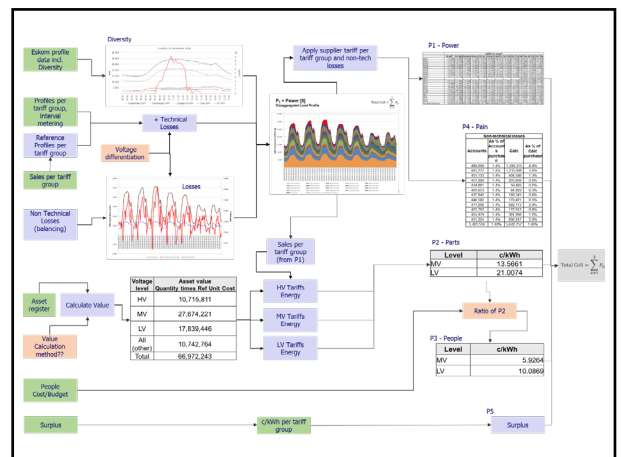
Municipal financial security is under pressure due to market conditions, ageing networks and an increasing trend in energy losses.

By conducting detailed Tariff Design as well as Cost of Supply studies, municipalities will be able to align their tariffs with their consumer base to optimise surplus. This will reduce the overall financial impact to the client. The analysis also facilitates the design of special tariffs.



For this project:

BBenergy conducted a detailed Cost of Supply Study and proposed rationalized tariffs to optimise municipal income, while staying within the approved Nersa tariff increase. This analysis made the development of a green energy, as well as wheeling energy tariffs, possible.



Completed in 2017, 2018, 2019.